



Features



Easy to install



Floor / Wall mount



Safe & Reliable



Modular & Elegant Design

Technical Specifications

Model

Load capacity

Dimensions(L*W*H)

Weight

Mount

Enclosure rating

Enclosure material

Cooling

V-BOX-NEMA3

2*V5°

521.5x430.9x647.4 mm / 20.5x17.0x25.5 inch

29.5 kg / 65.04 lbs

Floor / Wall mount

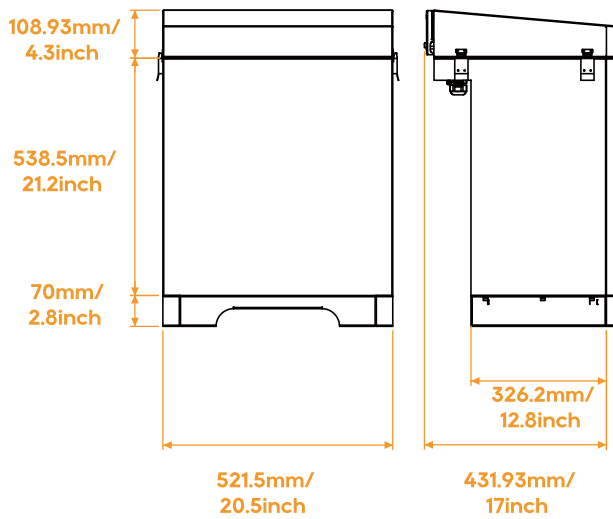
NEMA 3

SGCC(Galvanized steel)

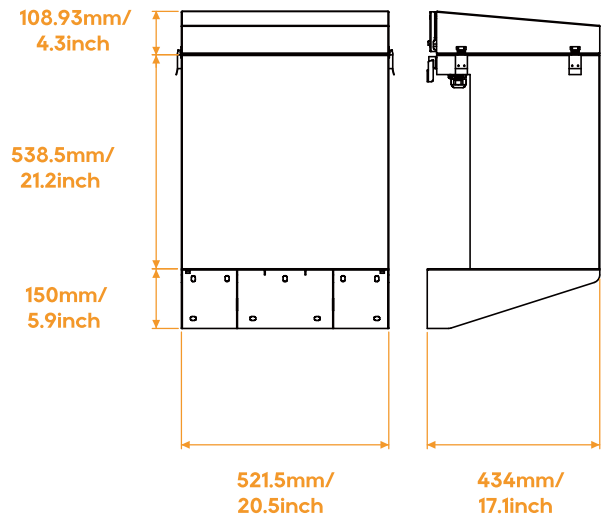
Natural convection

Mechanical drawing

Floor Mounting



Wall Mounting



3D image

Floor Mounting



Wall Mounting



Pytes

Shanghai PYTES Energy Co., Ltd.
NO.3492, Jinqian Road, Fengxian District, Shanghai, China
Tel: +86 21 57475852
Email: ess_support@pytesgroup.com



More Catalogs



LinkedIn



Facebook



Instagram



YouTube



www.pytesess.com

Pytes